

HiTECH

Technologies, Inc.

EchoTREK™
THE NEXT GENERATION

Sanitary

SMART LEVEL TRANSMITTERS

SonicLaser™ Sensing Technology

Sanitary SEF-38

Tri-Clamp Fitting
Teflon Sensor

IDEAL for

- ◆ Breweries
- ◆ Bottling
- ◆ Biotech
- ◆ Dairy
- ◆ Food
- ◆ Pharmaceuticals

ADVANTAGES

- **Narrow Beam Angle ($\pm 2.5^\circ$ from center axis)**
- **Built-in temperature compensation**
- **Simple intuitive programming**
- **2-wire ~ 4 to 20 mA output**
- **Fixed target suppression**
- **32-point linearization**
- **Operating modes:**

Basic: Simple start up and 4/20 mA programming without Display Module option.

Sophisticated: Using the Display Module (SAP-200) which includes a 6 digit custom LCD display, the operator can choose between a menu driven QUICKSET or full parameter programming.



The Sanitary SEF38 EchoTREK™ is HiTECH's new all Teflon Tri-Clamp TWO-WIRE SMART ultrasonic level transmitter using its' unique SonicLaser™ technology.

EchoTREK™ compact transmitters include the latest version of the field proven QUEST II™ advanced, process adaptive signal processing software to identify and validate the surface signal.

HiTECH's SonicLaser™, utilizing unique patented technology, is the best ultrasonic level measurement system on the market today. Presently there are more than 20,000 narrow beam SonicLaser™ sensors, operating successfully worldwide, in various harsh industrial processing environments.



HiTECH Technologies, Inc.

301 Oxford Valley Road, Yardley, PA 19067-7706

Technical support: 800. 755. 4507

Tel: 215. 321. 6012 ~ Fax: 215. 321. 6067 ~ www.hitechtech.com

HiTECH

Technologies, Inc.

EchoTREK™
THE NEXT GENERATION

Sanitary

SMART LEVEL TRANSMITTERS

Sanitary SB/ST-38

SPECIFICATIONS

Type

SonicLaser™ Smart
ultrasonic level transmitter

Operating Voltage

11.4 - 36 VDC

Transducer Material

Teflon Sensor (PTFE)

Measuring Range

Up to 20 feet

Operating Temperature

-22 to +194 °F

Enclosure Materials

Fiber-glass reinforced
PBT; NEMA 4X

Linearity

< 0.5% of Full Scale

Ambient Temperature

-22 to +140 °F

Mounting

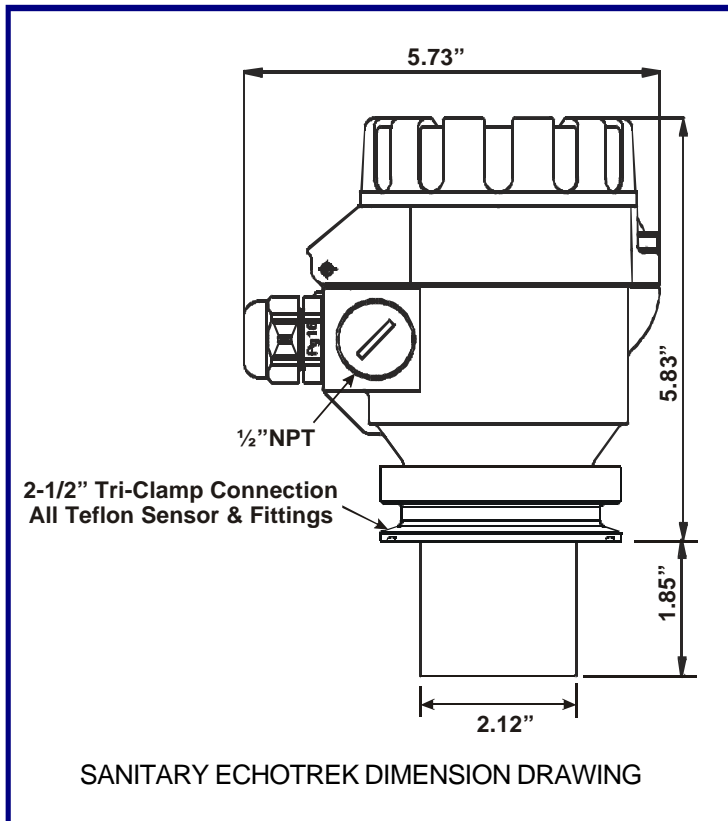
2-1/2" Tri-Clamp
Teflon (PTFE)

Output Signal

4 to 20 mA

Pressure

4.5 to 45 psi



PERFORMANCE GUARANTEE

Since 1986, every instrument sold by **HiTECH** has been guaranteed to perform in the application it originally was engineered and recommended for. Our company policy remains the same, every product sold comes with a **written performance guarantee**.

Should the equipment be unable to perform satisfactorily in your application and we are not able to correct the problem, we will accept the instrument in return and issue full credit.

This performance guarantee is valid for 60 days. Thereafter, our standard limited two years factory warranty goes into effect.



HiTECH Technologies, Inc.

301 Oxford Valley Road, Yardley, PA 19067-7706

Technical support: 800. 755. 4507

Tel: 215. 321. 6012 Fax: 215. 321. 6067 www.hitechtech.com

Copyright HiTECH Technologies, Inc.2003