

# HiTECH

Technologies, Inc.

## THE PULSE - SMART TWO-WIRE RADAR Level Transmitter

### Pulse Radar Sensing Technology

Model **THE PULSE 52**

### IDEAL for Liquid Applications in

- ◆ Chemicals
- ◆ Food & Beverages
- ◆ Pharmaceuticals
- ◆ Pulp & Paper
- ◆ Water & Wastewater

### ADVANTAGES

- Non Contact Radar Technology
- 1-1/2" NPT Mounting
- Rugged Construction
- Unaffected by Harsh Environment
  - Pressure up to 235 psi
  - Temperature up to 390°F
- Analog and Digital Output
  - Remote and Local Indication
  - Multi-drop Connectivity
- Easy Installation
- Simple Adjustment from:
  - Signal Conditioner
  - Removable MINICOM Module
  - PC with Intuitive Software
  - HART handheld
- CENELEC Approved - Ex Zone 1



The Model 52, one of the Series 50 family of **THE PULSE** instruments, are low-cost, two-wire radar level transmitters designed for use in process control environments.

The unit transmits microwave pulses toward the surface of the level to be measured, which then reflects the pulses back to the antenna.

The transit time of the reflected pulses is measured and the integral microprocessor accurately computes and transmits the level output signal.



**HiTECH Technologies, Inc.**

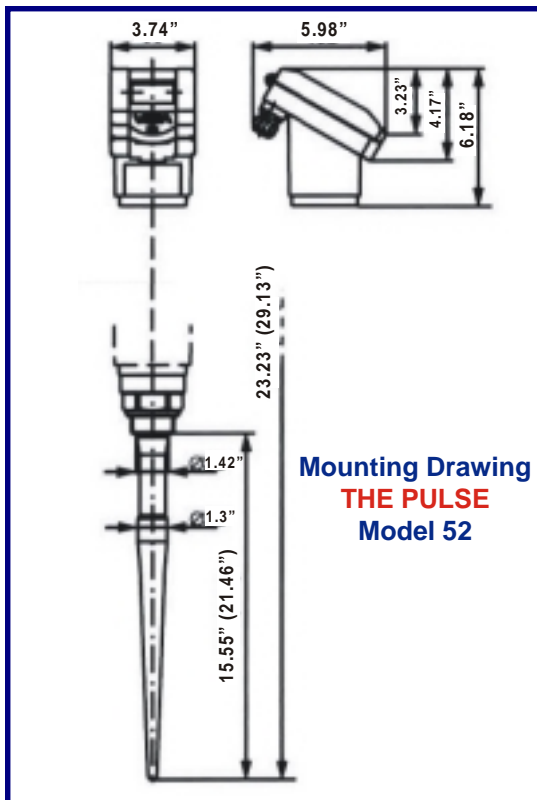
301 Oxford Valley Road, Yardley, PA 19067-7706

Technical support: 800. 755. 4507

Tel: 215. 321. 6012 ~ Fax: 215. 321. 6067 ~ [www.hitechtech.com](http://www.hitechtech.com)

### SPECIFICATIONS

<b>Type</b> Intelligent Two-Wire Rod Antenna Pulse Radar Level Transmitter	<b>Adjustment</b> HART hand-held terminal MINICOM module Signal conditioner (VEGAMET) PC with Visual Op. software	<b>Antenna (wetted parts)</b> SS NPT & PTFE Rod PVDF NPT & PTFE Rod
<b>Output Signal</b> 0/4 - 20mA (two-wire) w/ passive digital (optional)	<b>Measurement Range</b> 0 to 66 feet	<b>Electronic Housing</b> PBT - VALOX
<b>Accuracy</b> $< \pm 0.1\%$	<b>Power Supply</b> 20 to 36 VDC	<b>Mounting</b> 1-1/2" NPT
<b>Temp. Sensitivity</b> $\pm 0.015\% / 10^{\circ}\text{K}$	<b>External Load</b> 500 Ohms Max.	<b>Temperature</b> <u>Process</u> SS mtg. - 40 °F to +300 °F PVDE mtg. - 4 °F to +248 °F <u>Ambient</u> - 4 °F to +140 °F
<b>Approval</b> CENELEC Ex Zone 1		



### PERFORMANCE GUARANTEE

Since 1986, every instrument sold by **HiTECH** has been guaranteed to perform in the application it originally was engineered and recommended for. Our company policy remains the same, every product sold comes with a written performance guarantee.

Should the equipment be unable to perform satisfactorily in your application and we are not able to correct the problem, we will accept the instrument in return and issue full credit.

This performance guarantee is valid for 60 days. Thereafter, our standard limited two years factory warranty goes into effect.

