

**Loop-Powered**  
**Two-Wire Technology**

Model PDT-301

**IDEAL field indicator for  
the Process Industries:**

- ◆ Bio-Tech
- ◆ Chemicals
- ◆ Food Processing
- ◆ Petro-chemicals
- ◆ Petroleum
- ◆ Pharmaceuticals
- ◆ Power Plants
- ◆ Pulp & Paper
- ◆ Water & Wastewater



**ADVANTAGES**

- Process Variable Field indication**
- Two-wire operation**
- 4-20 mA input**
- 3.5 digit LCD display**
- 20 mm digit height**
- Heavy duty field mountable housing**
- Scaleable display**
- EEX ia II c T5/T6**

The **UNICONT PDT-301** is a loop powered field indicator.

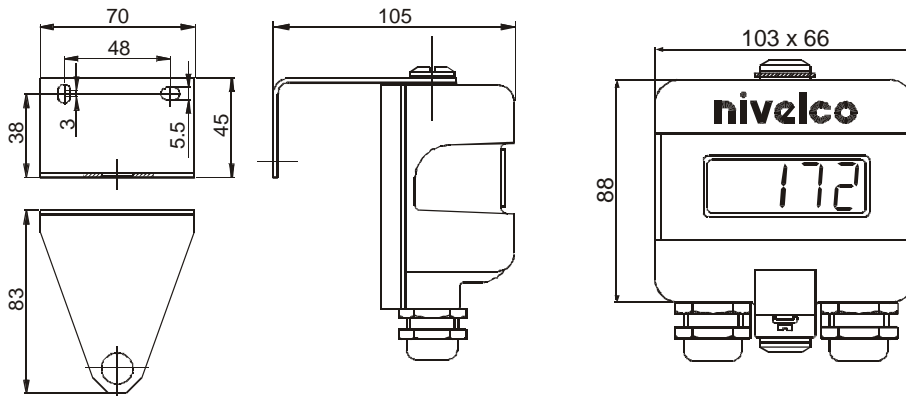
The **UNICONT PDT-301** can be inserted in any standard 4/20 mA current loop.

Its low voltage drop, less than 1.5 volts, an operating temperature of -13 to + 176° F, its robust NEMA 4 enclosure along with its scaleable display, make the PDT-301 the ideal universal field indicator.



**SPECIFICATIONS**

|  | UNICONT PDT-301            |
|--|----------------------------|
| Display                                | 3.5 digits, 18mm LCD       |
| Input                                  | 4-20 mA                    |
| Input overload                         | ± 100 mA.                  |
| Voltage drop (I <sub>IN</sub> = 25 mA) | < 1.5 V DC                 |
| ZERO setting                           | ± 1000 digit               |
| SPAN setting                           | ± 1999 digit               |
| Display linearity                      | ±3 digit                   |
| Ambient temperature                    | -25°C to +80°C             |
| Electric connections                   | 2 x Pg 11                  |
| Cable                                  | Ø7 to Ø12 mm,              |
| Wire thickness                         | 0.5 to 2.5 mm <sup>2</sup> |
| Mechanical protection                  | IP65                       |
| Electrical protection                  | Class III.                 |
| Certificate of Ex versions             | CENELEC EEx ia IIC T5...T6 |
| Weight                                 | 0.5 kg                     |



**PERFORMANCE GUARANTEE**

Since 1986, every instrument sold by **HiTECH** has been guaranteed to perform in the application it originally was engineered and recommended for. Our company policy remains the same, every product sold comes with a written performance guarantee.

Should the equipment be unable to perform satisfactorily in your application and we are not able to correct the problem, we will accept the instrument in return and issue full credit.

This performance guarantee is valid for 60 days. Thereafter, our standard limited two years factory warranty goes into effect.

Copyright HiTECH Technologies, Inc.2002

**HiTECH**

301 Oxford Valley Road, Yardley, PA 19067-7706

Technical support: 800. 755. 4507

Tel: 215. 321. 6012 Fax: 215. 321. 6067 www.hitechtech.com