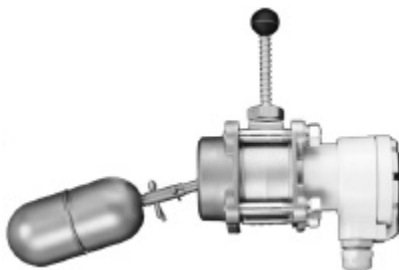
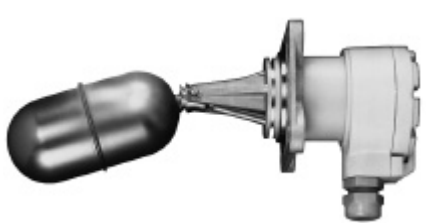




NIVOMAG

MK-200 MAGNETIC FLOATING LEVEL SWITCH



HiTECH Technologies, Inc.

301 Oxford Valley Road - Building 505A - Yardley, PA 19067-7706

Tel: 215. 321. 6012; Fax: 215. 321. 6067

Tech Support (Toll Free) 866-DrLevel or 888-NIVELCO

Email: info@DrLevel.com or info@hitechtech.com

Web Site: www.DrLevel.com or www.hitechtech.com

1. APPLICATION

The NIVOMAG MK-200 series magnetic float level switch can control various liquid levels.

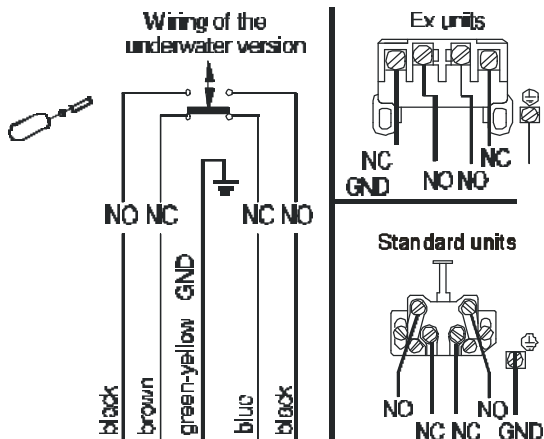
2. TECHNICAL DATA

Type	Horizontal Float				Vertical Float
	MK_-21_-	MK_-22_-	MKG-2_-	MKS-2_-	MK_-23_-
Nominal Pressure max.	2.5 MPa (MKU: 0.2 MPa / 2.5 MPa)				1.6 MPa
Liquid temperature	MKA: -20°C to 250°C MKU: -20°C to +80°C	0°C to 100°C	0°C to 200°C	-20°C...250°C	
Ambient temperature	-20°C to +80°C				
Liquid density	min 0,7 kg/dm ³				
Switch differential	Fixed	Adjustable	Fixed	Fixed	Adjustable
Protrusion length	See figures below				
Wetted parts	316Ti Stainless Steel				
Housing material	Epoxy powder coated aluminum				
Switch action	1 normally open and 1 normally closed contact (NO and NC)				
Switch rating	Standard	250V AC12 10A; 220V DC13 0,6A			
	Ex	250V AC12 2.5A; 220V DC13 0,3A			
Electrical connection	1 x Pg 16 cable 5 x 2,5 mm ² wire cross section (MKU: integrated cable)				
Mechanical protection	IP 65 (MKU: IP68)				
Electrical protection	Class I.				
Ex protection mark	ExEx dme IIC T4...T6				
Weight (approx)	2,5 kg				

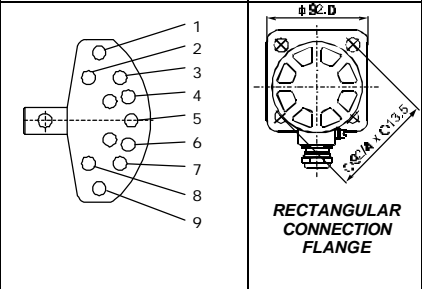
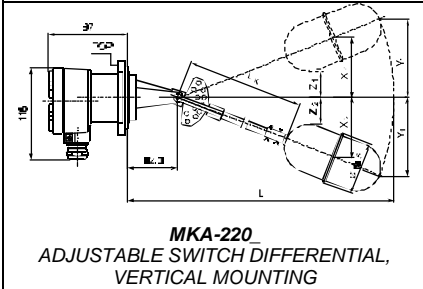
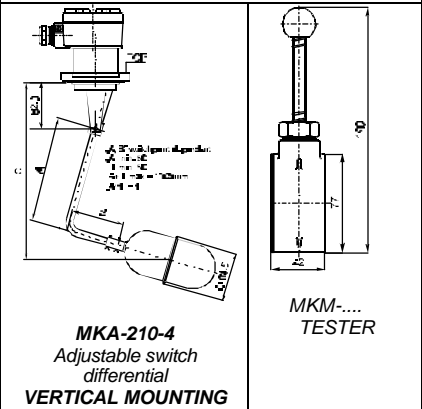
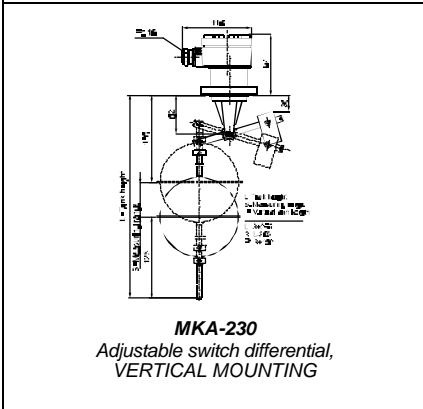
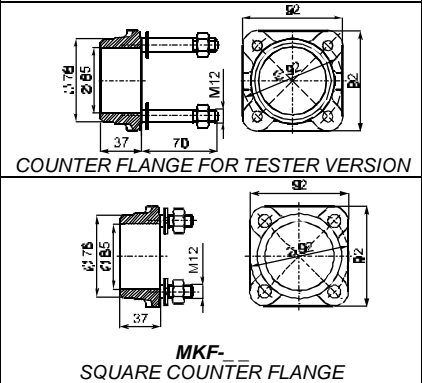
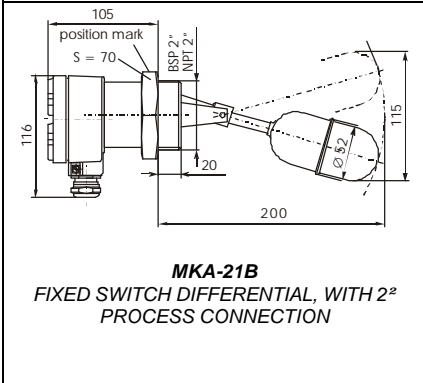
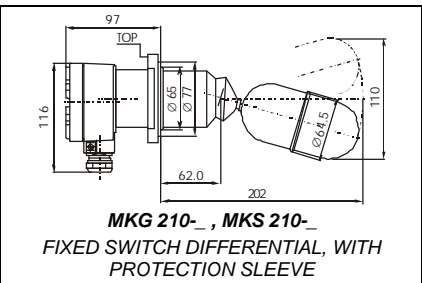
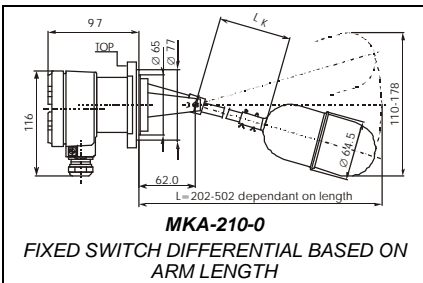
3. OPERATION

A magnet operated by the movement of a float will activate another magnet inside the switching enclosure. The magnet inside the enclosure operates a special switch. The movement of the float is transferred to the switch through magnetic coupling only, eliminating wear and contamination associated by traditional units.

4. ELECTRICAL CONNECTION



5. DIMENSIONS



Type: MKA-220-	-0 -9Ex						-1 -5Ex						-2 -6Ex						-3 -7Ex					
L _a = arm length [mm]	0						100						200						300					
L _p = piston length [mm]	268						350						450						550					
Pos.	X ₁	X ₂	Diff S	Y ₁ (Z ₁)	Y ₂ (Z ₂)	X ₁	X ₂	Diff S	Y ₁ (Z ₁)	Y ₂ (Z ₂)	X ₁	X ₂	Diff S	Y ₁ (Z ₁)	Y ₂ (Z ₂)	X ₁	X ₂	Diff S	Y ₁ (Z ₁)	Y ₂ (Z ₂)				
1-4	+87	+20	67	131	(131)	+123	+30	99	194	(19)	+171	+40	131	256	(25)	213	+50	163	319	(31)				
1-5	+87	+12	75	131	44	+123	+18	111	194	87	+171	+24	147	256	36	213	+30	183	319	45				
1-6	+87	-20	97	131	53	+123	-30	159	194	44	+171	-40	201	256	58	213	-50	263	319	72				
1-7	+87	-42	129	131	84	+123	-62	191	194	92	+171	-82	253	256	121	213	-102	315	319	151				
1-8	+87	-65	152	131	131	+123	-96	225	194	142	+171	-127	298	256	187	213	-158	371	319	233				
1-9	+87	-89	176	131	131	+123	-132	261	194	194	+171	-175	316	256	256	213	-218	431	319	319				
2-5	+80	+12	68	123	44	+118	+18	100	182	27	+156	+24	132	240	36	194	+30	164	299	45				
2-6	+80	-20	100	123	53	+118	-30	148	182	44	+156	-40	196	240	58	194	-50	244	299	72				
2-7	+80	-42	122	123	84	+118	-62	180	182	92	+156	-82	238	240	121	194	-102	296	299	151				
2-8	+80	-65	145	123	123	+118	-96	214	182	142	+156	+127	283	240	187	194	-158	352	299	233				
2-9	+80	-89	169	123	131	+118	-132	250	182	194	+156	-175	339	240	256	194	-218	402	299	319				
3-5	+47	+12	35	84	44	+70	+18	52	104	27	+93	+24	69	137	36	+116	+30	86	171	45				
3-6	+47	-20	67	84	53	+70	-30	100	104	44	+93	-40	133	137	58	+116	-50	66	171	72				
3-7	+47	-42	89	84	84	+70	-62	132	104	92	+93	-82	175	137	121	+116	-102	218	171	151				
3-8	+47	-65	112	84	123	+70	-96	166	104	142	+93	-127	220	137	187	+116	-158	274	171	233				
3-9	+47	-83	136	84	131	+70	-132	201	104	194	+93	-175	268	137	256	+116	-218	334	171	319				
4-6	+20	-20	40	53	53	+30	-30	60	78	44	+40	-40	80	103	58	+50	-50	100	128	72				
4-7	+20	-42	62	53	84	+30	-62	92	78	92	+40	-82	122	103	121	+50	-102	152	128	151				
4-8	+20	-65	85	53	123	+30	-96	126	78	142	+40	-127	167	103	187	+50	-158	208	128	233				
4-9	+20	-89	109	53	131	+30	-132	162	78	194	+40	-175	215	103	256	+50	-218	268	128	319				
5-7	-12	-42	30	44	84	-18	-62	44	65	92	-24	-82	106	86	121	-30	-102	72	107	151				
5-8	-12	-65	53	44	123	-18	-96	78	65	142	-24	-127	151	86	187	-30	-158	128	107	233				
5-9	-12	-89	72	44	131	-18	-132	115	65	194	-24	-175	189	86	256	-30	-213	188	107	319				
6-9	-20	-89	69	13	131	-30	-132	102	13	194	-40	-175	215	23	256	-50	-213	163	31	319				

6. MAINTANCE

The NIVOMAG MK-200 series devices do not require maintenance on a regular basis. In some instances, however, the device may need a cleaning from deposited material.

7. STORAGE CONDITIONS

Environmental temperature range: -25°C to +60°C

Relative humidity: max. 98 %

8. PERFORMANCE GUARANTEE

Since 1986, every instrument sold by **HITECH** has been guaranteed to perform in the application it originally was engineered and recommended for. Our company policy remains the same, every product sold comes with a **written performance guarantee**.

Should the equipment be unable to perform satisfactorily in your application and we are not able to correct the problem, we will accept the instrument in return and issue full credit.

This performance guarantee is valid for 60 days. Thereafter, our standard limited two years factory warranty goes into effect.

HiTECH Technologies, Inc.

301 Oxford Valley Road - Building 505A - Yardley, PA 19067-7706

Tel: 215. 321. 6012; Fax: 215. 321. 6067

Tech Support (Toll Free) 866-DrLevel or 888-NIVELCO

Email: info@DrLevel.com or info@hitechtech.com

Web Site: www.DrLevel.com or www.hitechtech.com