

Conductivity Sensing Technology

Series FLX

Durable “**ALL Stainless Steel**” Level Switch

IDEAL for

- ◆ **Biotech**
- ◆ **Bottling**
- ◆ **Breweries**
- ◆ **Dairies**
- ◆ **Food Processing**
- ◆ **Pharmaceuticals**



ADVANTAGES

3-A Sanitary Standard

ALL Stainless Steel Design

Process Connections

Tri-Clamp - [1-1/2” or 2”] (shown in photo)

Sanitary Weld-on Nipple

Milkcoupling

Flange [All sizes]

Wetted Materials -

316 L + PE (Standard)

316 L + Ceramic Al₂O₃ (Available)

No Moving Parts

Adjustable Sensitivity

Easy to Install

Maintenance Free

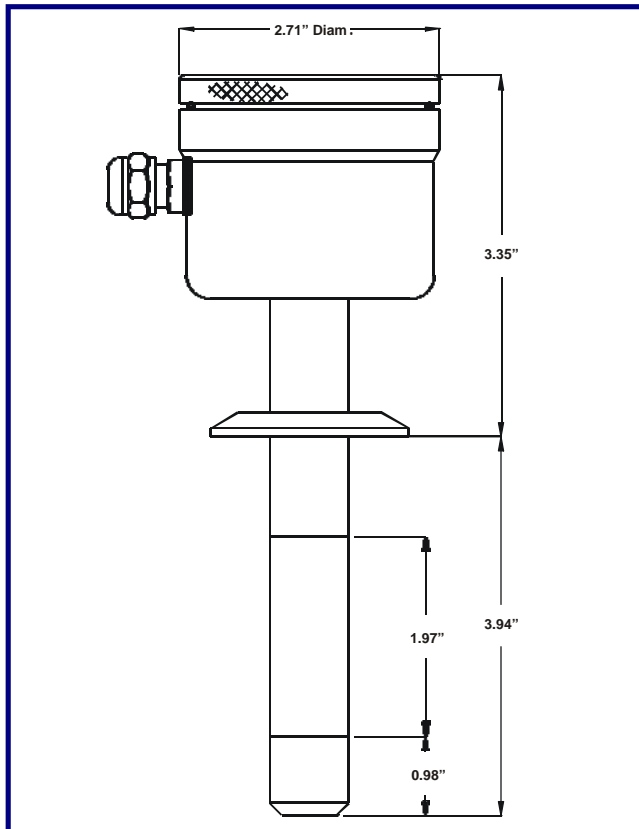
The Series FLX family of Conductivity Level Switches are an ALL Stainless liquid level switch based on the technology of measuring the conductance between the sensor tip and a ground reference.

Designed to be non-clogging and well suited for clean-in-place service, they are the ideal choice for the beverage, food, biotech, pharmaceutical, and chemical industries.

To satisfy a broad range of application requirements, a variety of process connections and wetted materials are available.

SPECIFICATIONS

<p>Type Conductivity Sensing Technology Level Switch</p>	<p>Power Supply 20 to 28 VDC</p>	<p>Insertion Length 3.94 " (100mm) standard 1.6" (40 mm) minimum 59" (1.5 m) maximum</p>
<p>Output Relay</p>	<p>Temperature Process -22 °F to +194 °F Option to +356 °F (-30 °C to +90 °C) (Option to +180 °C)</p>	<p>Sensor (wetted parts) 316 L + PE standard 316 L + AL₂O₃</p>
<p>Sensitivity Adjustable</p>	<p>Ambient -4 °F to +140 °F (-20 °C to +60 °C)</p>	<p>Electronic Housing 304 stainless steel</p>
<p>Pressure 10 bar maximum</p>		<p>Mounting Various Process Connections</p>



PERFORMANCE GUARANTEE

Since 1986, every instrument sold by **HiTECH** has been guaranteed to perform in the application it originally was engineered and recommended for. Our company policy remains the same, every product sold comes with a **written performance guarantee**.

Should the equipment be unable to perform satisfactorily in your application and we are not able to correct the problem, we will accept the instrument in return and issue full credit.

This performance guarantee is valid for 60 days. Thereafter, our standard limited two years factory warranty goes into effect.