

Ultrasonic Sensing Technology

Model LL-394

IDEAL FOR:

**WASTEWATER SLUDGE
BLANKET CONTROL**

Municipal Sewage Sludge
Industrial Waste Supply
Water Softening Sludge
Wastewater Treatment Plants

- Slurry Tanks
- Clarifiers
- Settling Tanks

ADVANTAGES

Easy Installation and Set-up

3/4" NPT Mounting
Field Adjustable Sensitivity

Maintenance Free

Rugged Construction

Compact Sealed Electronics
316 Stainless Steel Sensor

Lead/Lag Pump Control (optional)

Agency Approval

UL - Underwriters Laboratories
Intrinsically Safe System (pending)



HiTECH's Model LL-394 **Sludge Level Switch** is the ideal solution to a host of tough liquid level sensing applications.

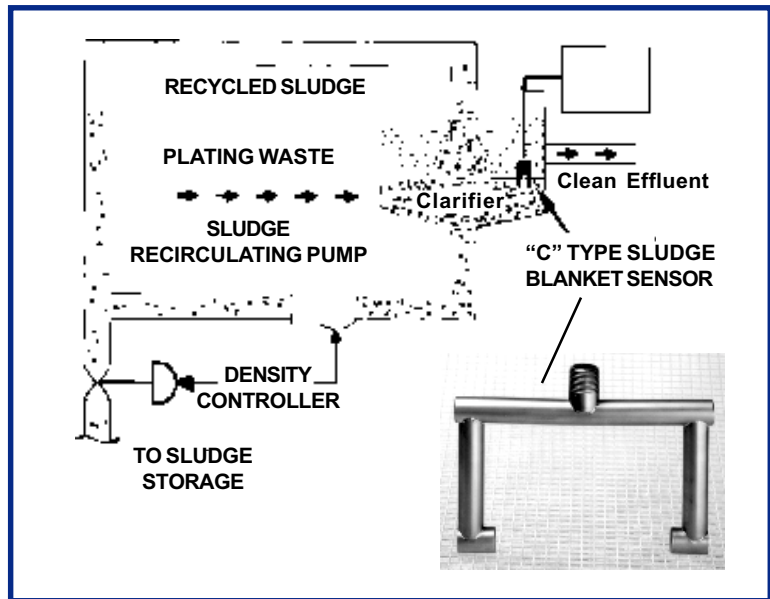
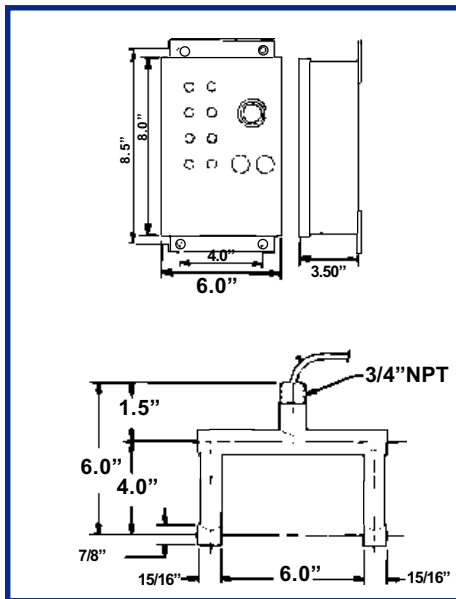
This **Sludge Level Switch** uses proven ultrasonic technology with an all 316 stainless steel wetted parts sensor. This enables it to operate in virtually any liquid. A sensitivity adjustment allows the monitoring of percentage solids in the contents of the liquid.

Its small size standard 3/4" NPT mounting fitting and ability to be installed vertically or horizontally, makes it the perfect choice for new or existing applications.

The electronics are housed in a NEMA 4 weatherproof wall mounted enclosure, and designed to provide many years of maintenance-free service.

SPECIFICATIONS

<p>Type Ultrasonic Sludge Level Switch</p> <p>Response Time: 0.5 seconds</p> <p>Input Power Standard 115 or 230VAC 50/60 HZ Optional 24VDC</p>	<p>Outputs Standard 10A DPDT relay Two Wire: 4 ± 1 ma - Dry, 20 ± 1 ma - Wet</p> <p>Indicators/Controls: (Optional) Red light indicates Alarm Green light indicates Normal Horn signals alarm Reset button silences alarm</p>	<p>Sensor Standard 316 Stainless Steel</p> <p>Mounting Sensor 3/4" NPT Electronics NEMA 4 Wall mount weatherproof</p> <p>Temperature Electronics -20 °F to +160 °F Sensor -40 °F to +250 °F</p>
---	---	--



PERFORMANCE GUARANTEE

Since 1986, every instrument sold by **HITECH** has been guaranteed to perform in the application it originally was engineered and recommended for. Our company policy remains the same, every product sold comes with a **written performance guarantee**.

Should the equipment be unable to perform satisfactorily in your application and we are not able to correct the problem, we will accept the instrument in return and issue full credit.

This performance guarantee is valid for 60 days. Thereafter, our standard limited two years factory warranty goes into effect.

Copyright HITECH Technologies, Inc.2000