

HiTECH

Technologies, Inc.

Two-Wire Ultrasonics designed for OEM's

Low cost loop-powered two-wire compact ultrasonic system with integral electronics for OEM's

LL-295

IDEAL FOR:

- ◆ Pharmaceuticals
- ◆ Chemicals
- ◆ Food & Beverages
- ◆ OEM's
- ◆ Power Generation
- ◆ Corrosive Liquids
- ◆ Pulp & Paper
- ◆ Water Treatment

ADVANTAGES

- Customized ranges 6" - 240"**
- No calibration required**
- Easy Installation**
- Maintenance Free**
- Mounting 2" NPT**
- Compact Rugged Construction**
- All Parts Tefzel**
- Direct PLC Interface**
- Temperature Compensation**
- Fast Response Time**



The **HiTECH** Loop-Powered **Two-wire** ultrasonic transducer is a compact Tefzel transducer with integral surface mount technology electronics that measures liquids and slurries.

The **HiTECH** Loop-Powered **Two-wire** ultrasonic transducer is available for both level and for distance measurements.

HiTECH Technologies, Inc.

301 Oxford Valley Road, Yardley, PA 19067-7706

Technical support: 800. 755. 4507

Tel: 215. 321. 6012 Fax: 215. 321. 6067 - www.hitechtech.com

HiTECH

Technologies, Inc.

Non-Contact Loop-powered
for direct two-wire PLC-Interface

SPECIFICATIONS

Model LL-295

Type
Non-Contact Ultrasonic Compact
Transceiver

Output
4.0 - 20.0 mADC
20.0 - 4.0 mADC

Sensor
Material Tefzel
Mounting 2" NPT

Repeatability +/- 005" (+/- 0.13 mm)

Input Power:
16 - 36 VDC.

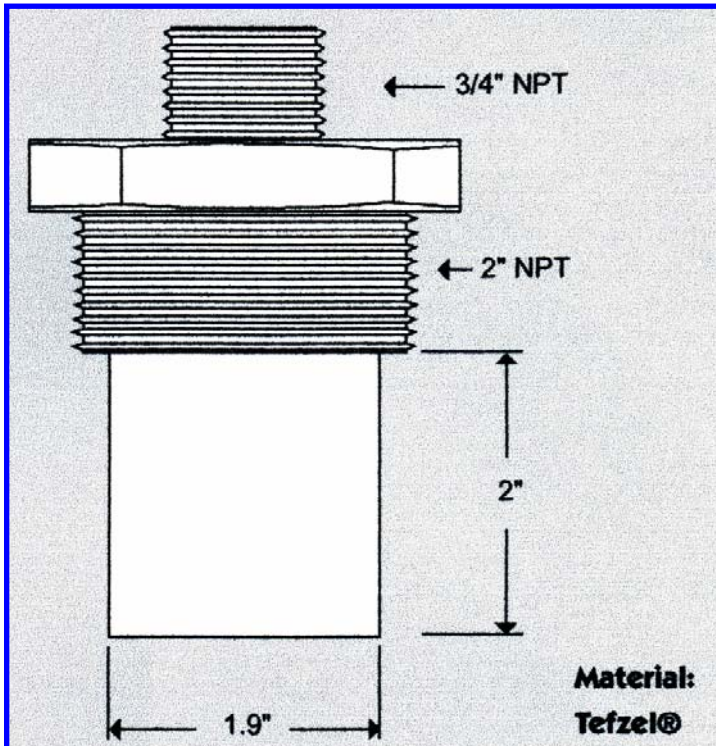
Temperature
- 20° F - +160° F
- 29°C - + 71° C

Response Time 1.5 seconds

Housing
Tefzel
NEMA 4, 4X & 6.

Pressure
Up to 40 PSI

Beam Angle 12°



PERFORMANCE GUARANTEE

Since 1986, every instrument sold by **HiTECH** has been guaranteed to perform in the application it originally was engineered and recommended for. Our company policy remains the same, every product sold comes with a written performance guarantee.

Should the equipment be unable to perform satisfactorily in your application and we are not able to correct the problem, we will accept the instrument in return and issue full credit.

This performance guarantee is valid for 60 days. Thereafter, our standard limited two years factory warranty goes into effect.

HiTECH Technologies, Inc.

301 Oxford Valley Road, Yardley, PA 19067-7706

Technical support: 800. 755. 4507

Tel: 215. 321. 6012 Fax: 215. 321. 6067 - www.hitechtech.com