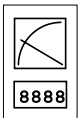
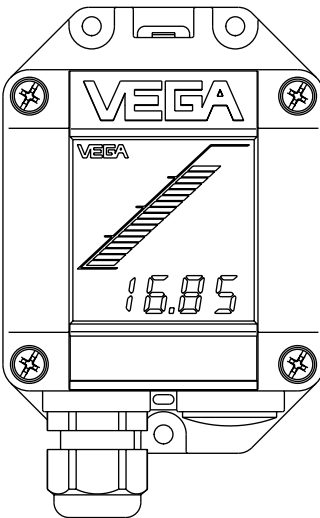


## Operating Instruction

### VEGADIS 50 Ex



**Contents**

Safety information .....	2
Note Ex-area .....	2
<b>1 Product description</b>	
1.1 Function and configuration .....	3
1.3 Technical data .....	3
1.2 Types and versions .....	3
1.4 Dimensions .....	4
<b>2 Mounting</b>	
2.1 Mounting instructions .....	5
<b>3 Electrical connection .....</b>	<b>5</b>
<b>4 Set-up</b>	
4.1 Indicating and adjustment elements .....	6
4.2 Adjustment structure .....	7

**Safety information**

The described module must only be installed and operated as described in this operating instruction. Please note that other action can cause damage for which VEGA does not take responsibility.

**Note Ex-area**

Please note the attached approval documents (yellow binder) and especially the included safety data sheet.

# 1 Product description

## 1.1 Function and configuration

VEGADIS 50 is a digital indicating instrument without external energy with adjustment possibility for surface or rail mounting with LC-display for digital and quasianalogue indication.

The indicating instrument can be connected to all series 50 sensors (VEGASON, VEGAPULS, VEGAFLEX) and to radar sensor VEGAPULS 81.

### Function

The indicating instrument VEGADIS enables the indication of values between -9999 and 9999. The decimal point can be shifted. The indicated unit can be chosen individually.


## 1.2 Types and versions

### VEGADIS 50

Digital indicating instrument without external energy for surface mounting.

With Ex-approval for surface mounting and for mounting in zone 1 or zone 0.

Approval 

EC-type approval  
 II 1G EEx ia IIC  
 TÜV 98 ATEX 1361 X.

The bus signal circuits must be intrinsically safe (i). Note the EC-type approval.

## 1.3 Technical data

### General

Series	instrument for surface mounting, for wall mounting or mounting on carrier rail 35 x 7,5
Dimensions	W = 84 mm, H = 120 mm, D = 84 mm
Weight	approx. 420 g
Housing material	plastic PBT
Cable entry	1 x Pg 13,5

### Ambient conditions

Ambient temperature	-10°C ... +70°C (with mounted adjustment module MINICOM 0° ... 50°C)
Storage and transport temperature	-40°C ... +85°C

### Electrical protective measures

Protection class	III
Overvoltage category	III
Protection	IP 67

### Input

Transmission	digital I <sup>2</sup> C-Bus
Connection line to the sensor	4-wire screened, max. 25 m

## Digital indication

Zero point or final point	-9999 ... 9999
Decimal point	individually selectable
Bargraph indication	0 % ... 100 %

## CE-conformity

VEGADIS 50 Ex meets the protective regulations of EMVG (89/336/EWG) and NSR (73/23/EWG). The conformity has been judged acc. to the following standards:

EMVG	Emission	EN 50 081 - 1: 1993
	Susceptibility	EN 50 082 - 2: 1995
NSR		EN 61 010 - 1: 1993

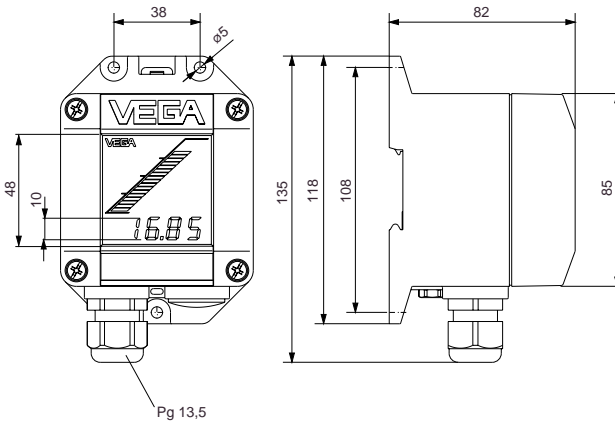
## Deviating data for certified instruments

EC-type approval	TÜV 98 ATEX 1361 X
Classification	 II 1G EEx ia IIC T6

Permissible ambient temperature when used in Ex-atmospheres

	Zone 0	Zone 1
- temperature class T6	55°C	55°C
- temperature class T5	60°C	70°C
- temperature class T4	60°C	85°C

## 1.4 Dimensions



## 2 Mounting

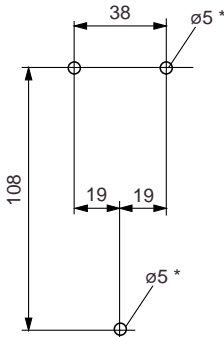
### 2.1 Mounting instructions

The indicating instrument VEGADIS 50 can be either mounted directly to the wall by means of three screws  $\varnothing 5$  mm or plugged to a rail 35 x 7,5 acc. to DIN EN 50 022.

#### Humidity

With wall mounting, the cable entries must point to the bottom to avoid humidity ingress. Loop the connection lines to the bottom.

### Drilling jig VEGADIS 50



\* DG-hole on instrument



For Ex-applications the special mounting regulations for hazardous areas must be noted.

## 3 Electrical connection

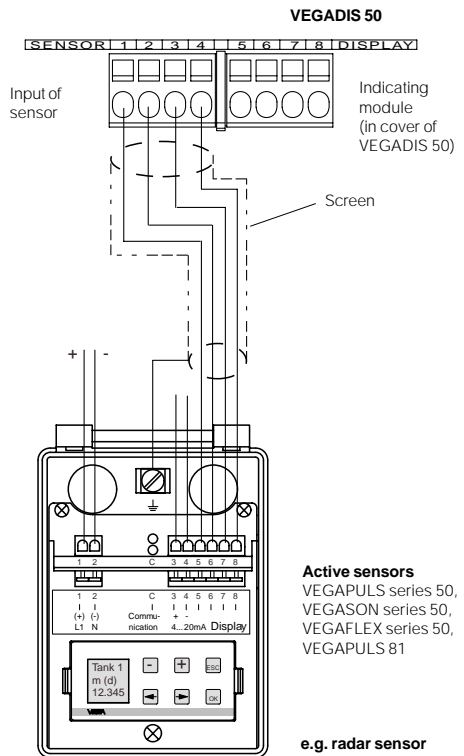
#### Note:

Before starting connection work, switch off the power supply of all components.

Loosen the four screws on the upper side of the instrument of VEGADIS 50 and remove the housing cover with the integral indicating module.

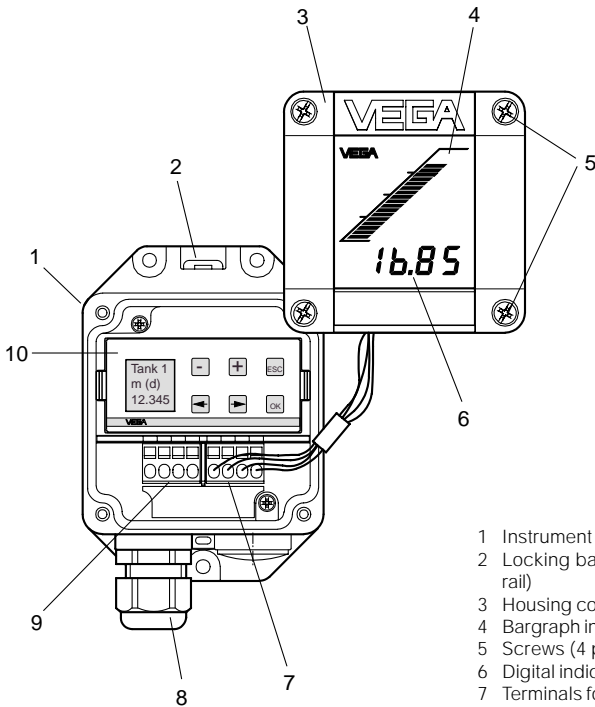
The connection and adjustment of VEGADIS 50 can be facilitated by fastening the housing cover with two screws laterally or displaced to the bottom.

Connect VEGADIS 50 according to the following diagram.



## 4 Set-up

### 4.1 Indicating and adjustment elements



- 1 Instrument housing
- 2 Locking bar (to loosen the instrument from the rail)
- 3 Housing cover with indicating module
- 4 Bargraph indication
- 5 Screws (4 pieces cross recession)
- 6 Digital indication
- 7 Terminals for indicating module
- 8 Cable entry Pg 13,5
- 9 Terminals for sensor
- 10 Adjustment module MINICOM

## 4.2 Adjustment structure

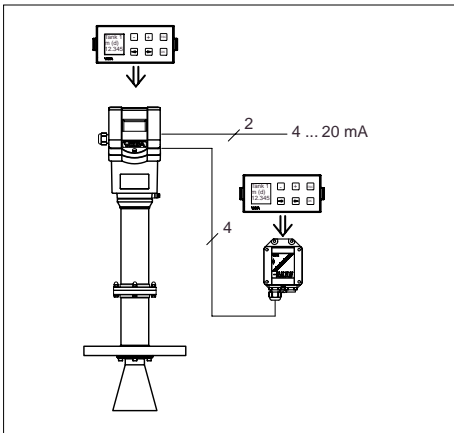
Series 50 sensors can be adjusted

- with the PC (adjustment program VVO)
- with the detachable adjustment module MINICOM
- with the HART®-handheld.

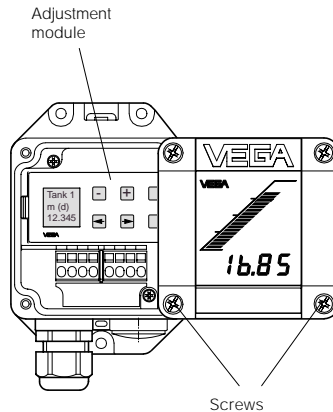
The adjustment must always be made with only one adjustment medium. It is not possible to make the parameter adjustment at the same time with the MINICOM and the HART®-handheld.

### Adjustment module MINICOM

With the adjustment module MINICOM you adjust in the sensor or in the external indicating instrument VEGADIS 50. The adjustment module enables via text display with 6-key field the adjustment like with the adjustment program VVO.



- Loosen the four screws on the upper side of VEGADIS 50 and remove the housing cover with the integral indicating module. You can facilitate the connection and the adjustment of VEGADIS 50 by fastening the housing cover by means of two screws laterally or displaced to the bottom.



- The adjustment of the 6-key adjustment module is stated in the operating instruction of the appropriately connected sensor.
- It has proven in practice to mark VEGADIS. Information on the appropriate measurement loop and the appropriate unit of the indicated value help to avoid failures and misunderstandings. A gap is provided on the housing cover for marking. You can glue in a label (48 x 11 mm) and mark it appropriately. Example for such a label:

**Litre**

Meas. loop: F 37  
Tank 14  
Cleaning solvent

- Place the housing cover (3) again to the housing (1) and tighten the four screws on the upper side of the instrument.

# ***HiTECH***

Technologies, Inc.

**A TECHNOLOGY FOR  
EVERY LEVEL APPLICATION**

## ***HiTECH* Technologies, Inc.**

---

301 Oxford Valley Road - Building 505  
Yardley, PA 19067-7706

Tel: 215. 321. 6012; Fax: 215. 321. 6067

Tech Support (Toll Free) 866-DrLevel or 888-NIVELCO

Email: [info@DrLevel.com](mailto:info@DrLevel.com) or [info@hitechtech.com](mailto:info@hitechtech.com)

Web Site: [www.DrLevel.com](http://www.DrLevel.com) or [www.hitechtech.com](http://www.hitechtech.com)

---

