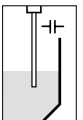
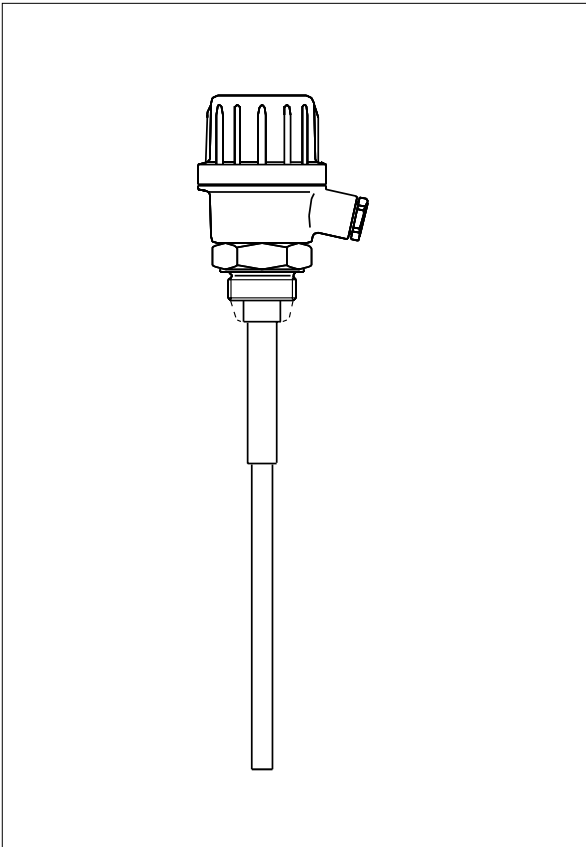


# Operating Instruction

**Oscillators E14, E15, E17, E18  
on capacitive electrodes with terminal insert**



## Replacement set

### Oscillator - Capacitive electrodes

With this adapter set it is possible to adapt the new oscillators E14, E15, E17 and E18 to capacitive electrodes with terminal insert.

The replacement set must not be used for electrodes certified acc. to CENELEC, PTB Zone 0, WHG or VbF.

On electrodes for adhesive products type 23.2... and 25.2... the replacement set is also not possible.

The following parts are attached to the replacement set for the oscillator of the capacitive electrode:

- housing cover
- seal ring (in the housing cover)
- adapter plate
- connection cable
- oscillator (if ordered)

The following parts can no more be used:

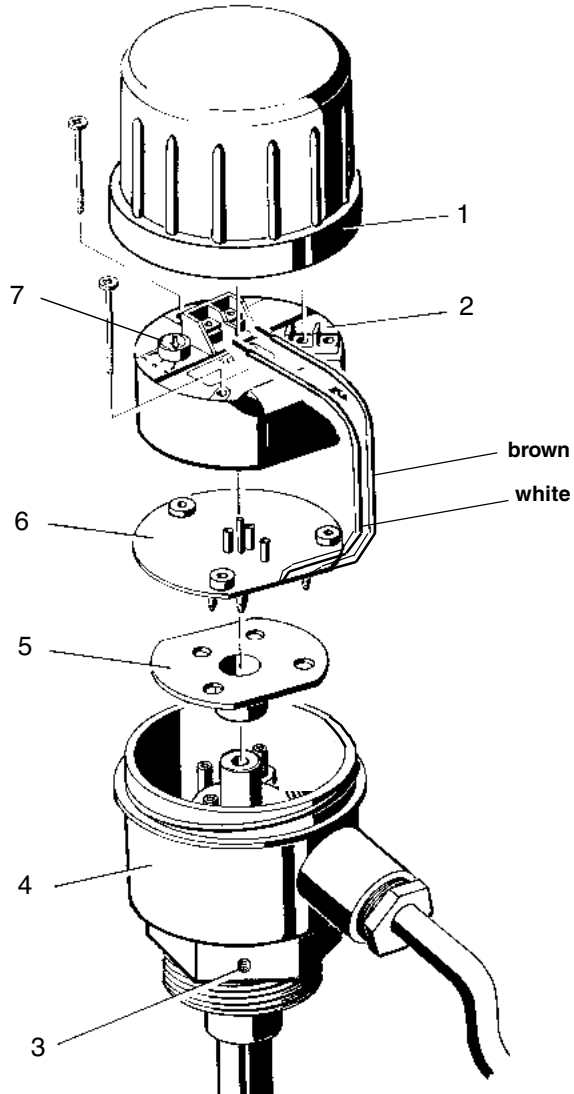
- housing cover - old
- oscillator - old

### Exchange of the oscillator

Proceed as follows:

- Separate the electrode from mains voltage
- Remove the plastic cover from the capacitive electrode
- Pull out the old oscillator
- Pull the probably available white protective cover (5) out of the housing (4)

- Loop the cable acc. to the figure
- Insert the probably available white protective cover (5)
- Plug the new oscillator (2) to the adapter plate (6). Probably the two parts are also pre-assembled.
- Connect the two cables to the terminal block of the oscillator (2) (1 = +; 2 = -).
- Make sure to which range the old oscillator is adjusted. This can be determined on the soldering bridge on the lower side of the oscillator. Set the changeover switch (7) to the same range.
- Check the part between vessel and thread of the electrode with an Ohmmetre. When the resistance is  $\infty$ , the electrode must be earthed separately. Hence use the thread on the hexagon (3).
- Use the attached cover (1), to close the electrode again. Note that the seal ring fits correctly.
- Carry out the adjustment acc. to the operating instruction of the signal conditioning instrument.



- 1 Housing cover - new
- 2 Oscillator E14, E15, E17, E18
- 3 Thread on hexagon
- 4 Instrument housing
- 5 Cover plate
- 6 Adapter plate
- 7 Changeover switch

# ***HiTECH***

Technologies, Inc.

**A TECHNOLOGY FOR  
EVERY LEVEL APPLICATION**

## ***HiTECH* Technologies, Inc.**

---

301 Oxford Valley Road - Building 505  
Yardley, PA 19067-7706

Tel: 215. 321. 6012; Fax: 215. 321. 6067

Tech Support (Toll Free) 866-DrLevel or 888-NIVELCO

Email: [info@DrLevel.com](mailto:info@DrLevel.com) or [info@hitechtech.com](mailto:info@hitechtech.com)

Web Site: [www.DrLevel.com](http://www.DrLevel.com) or [www.hitechtech.com](http://www.hitechtech.com)

---

